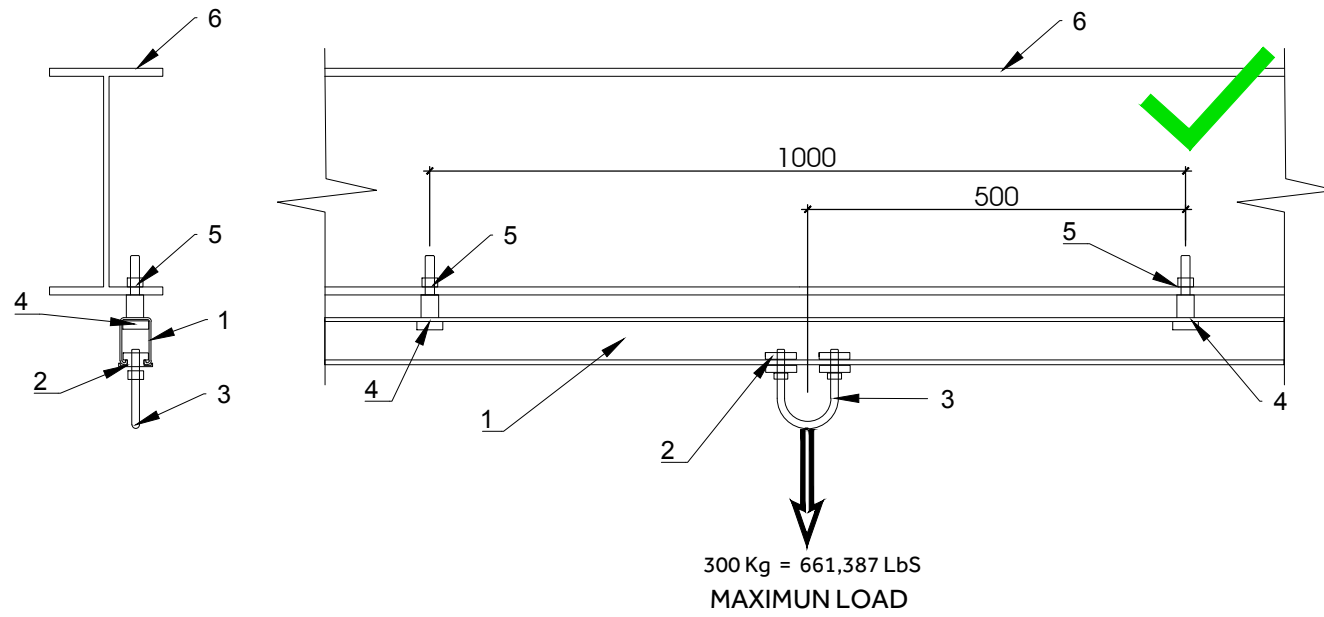


INSTRUCTIONS FOR USE SYSTEM CEILING ANCHORS

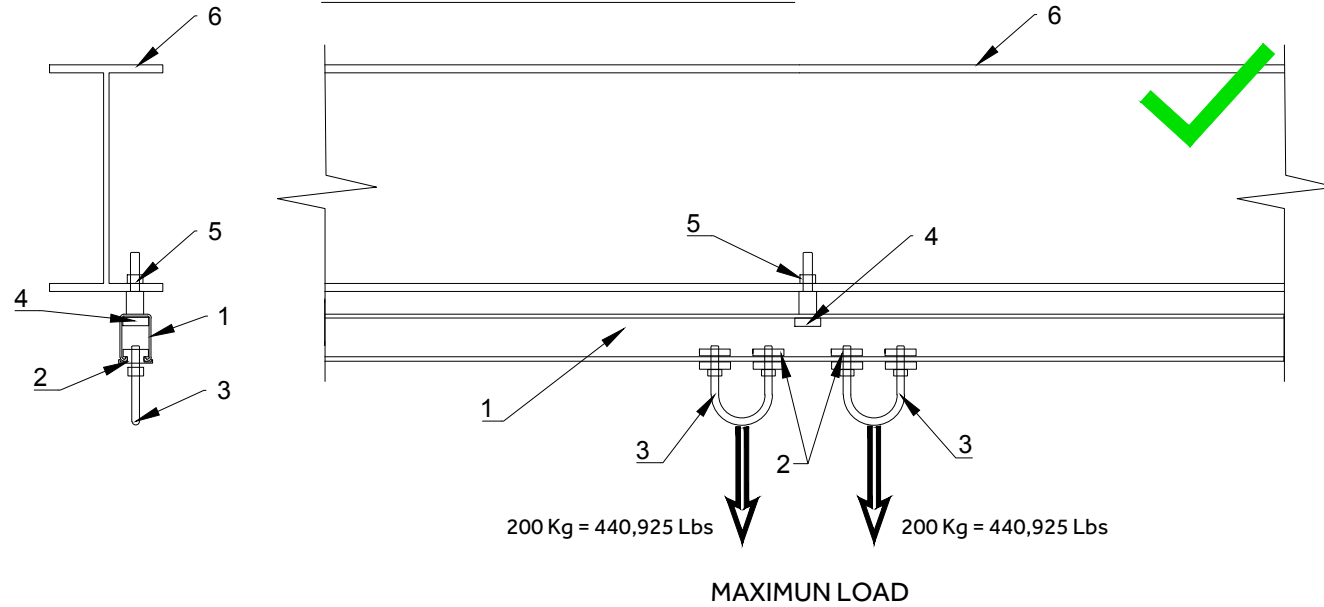
DETAIL A: GAPS BETWEEN CEILING TILES E:1/25



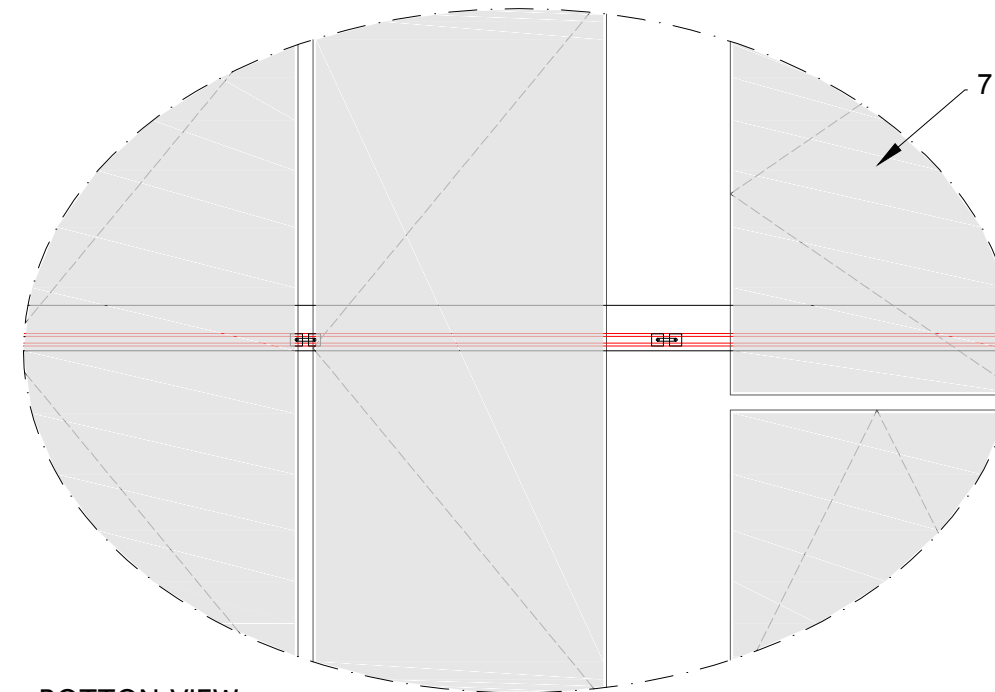
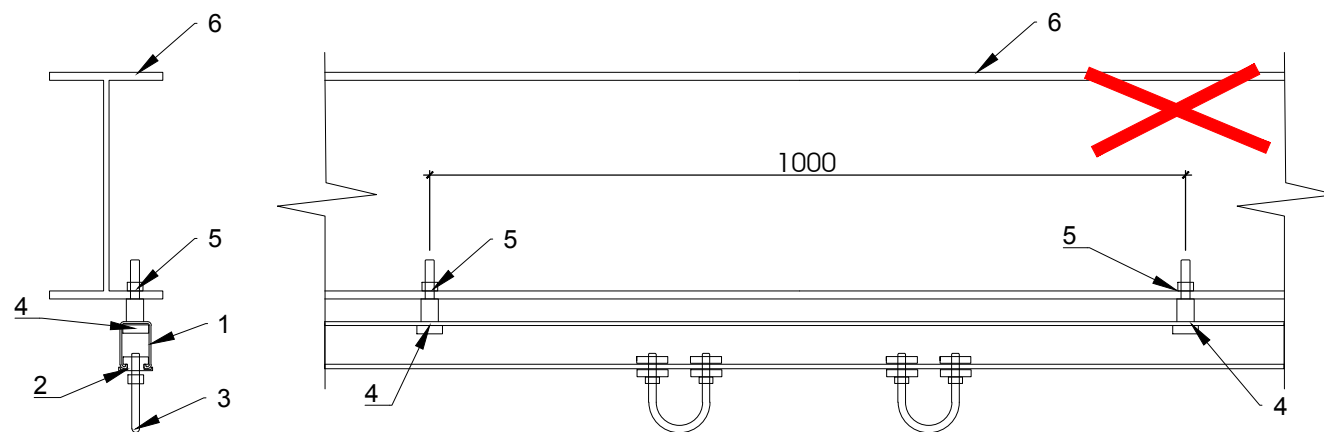
LOAD CENTERED SUPPORT



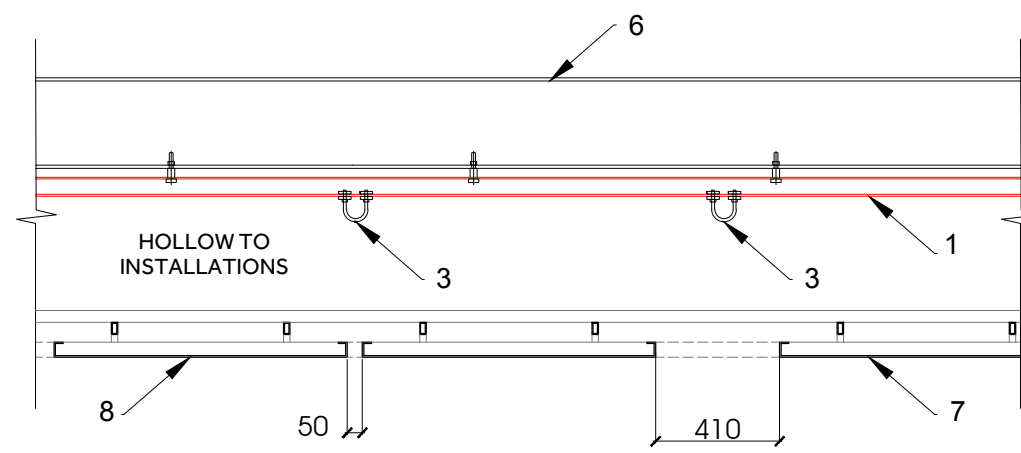
SUPPORT LOAD ANCHOR POINT BEAM



NOT PUT MORE THAN ONE-BOLT BETWEEN TWO POINTS OF ANCHOR BEAM



BOTTOM VIEW



FRONT VIEW

BILL OF MATERIALS			
ITEM	CODE	DESCRIPTION	BRAND
1	193792	CHANNEL MS 41/62 -2.5	SIKLA
2	198995	BLOCK PBH 41 M 10	SIKLA
3	102816	U BOLT RUB 60.3 mm (2")	SIKLA
4	152200	T-HEAD SOPORTE TBO HZ 41 M 12x75	SIKLA
5	100045	LOCKING NUT DIN 985 M 12	SIKLA
6		BEAM IPE EXIST	
7		SUSPENDED CEILING METAL PLATES	
8		FIXING ROOF STRUCTURE	



THE OBJECTS MUST BE ANCHORED ON U BOLT . PROHIBITED TO HANG ANY OBJECT ON THE LANE OR BUILDING STRUCTURE



THE OBJECTS TO BE ANCHORED AT LEAST IN 3 POINTS TO ENSURE STABILITY IN CASE OF FAILURE



TO CHECK IN EACH MOUNTING THAT THE NUTS ARE WELL SCREWED AND LOCKED U-BOLTS

NOTES: - All dimensions in millimeters
- Material: Cold galvanizing steel